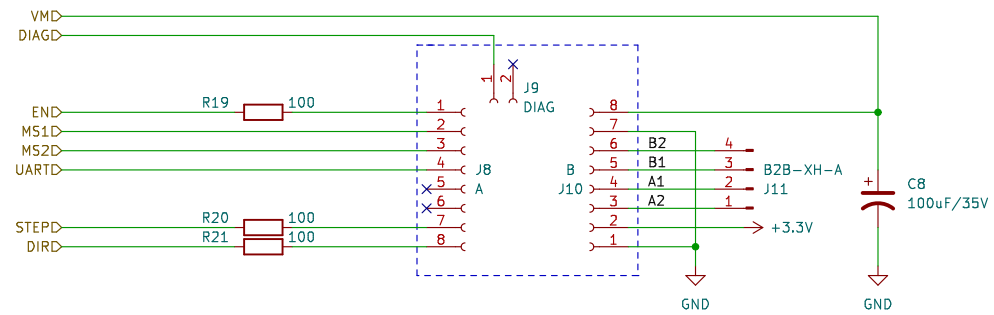


Sheet: /	
File: steppers.kicad_sch	
<b>Title: 6 Stepmotor Controller Board for ODROID-M1S</b>	
Size: A4	Date: 2023-08-30
KiCad E.D.A. kicad 6.0.2+dfsg-1	Rev: 1/8



Sheet: /stepper\_tmc2209/

File: stepper\_tmc2209.kicad\_sch

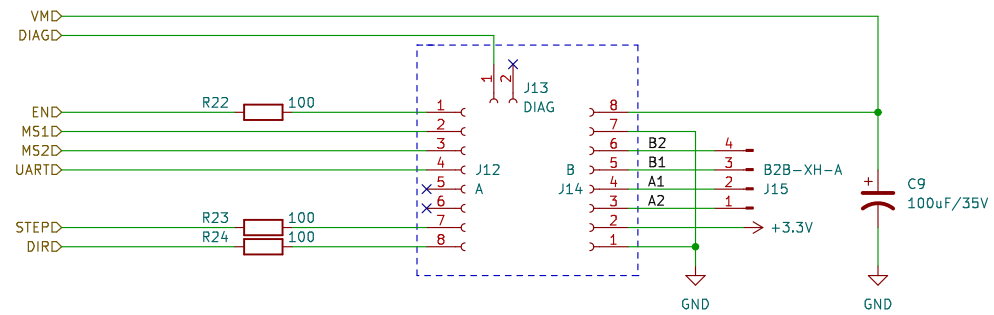
**Title: TMC2209 motor driver**

Size: A4 Date: 2023-08-30

KiCad E.D.A. kicad 6.0.2+dfsg-1

**Rev:**

Id: 2/8



Sheet: /stepper\_tmc2210/

File: stepper\_tmc2209.kicad\_sch

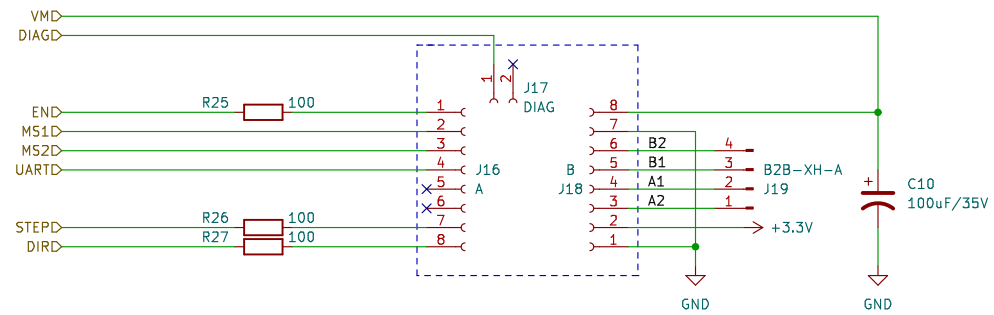
**Title: TMC2209 motor driver**

Size: A4 Date: 2023-08-30

KiCad E.D.A. kicad 6.0.2+dfsg-1

**Rev:**

Id: 3/8



Sheet: /stepper\_tmc2211/

File: stepper\_tmc2209.kicad\_sch

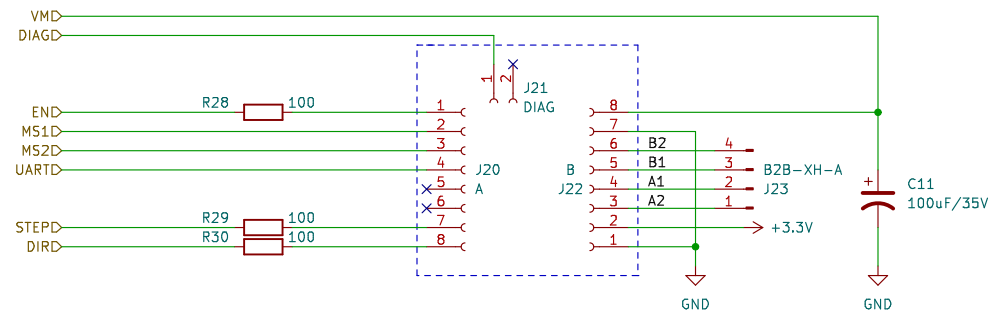
**Title: TMC2209 motor driver**

Size: A4 Date: 2023-08-30

KiCad E.D.A. kicad 6.0.2+dfsg-1

**Rev:**

Id: 4/8



Sheet: /stepper\_tmc2212/

File: stepper\_tmc2209.kicad\_sch

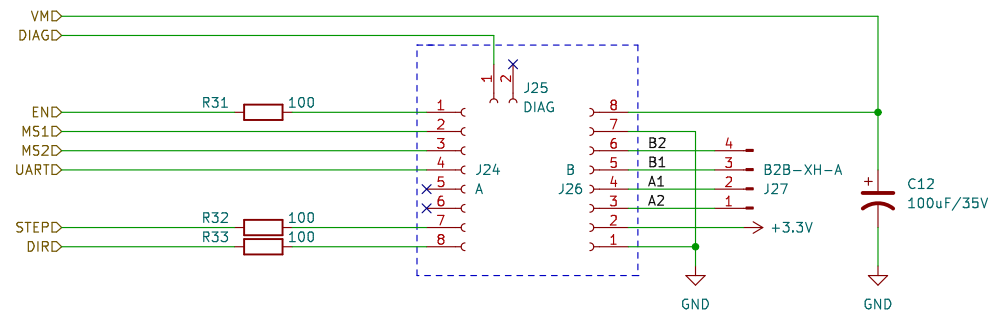
**Title: TMC2209 motor driver**

Size: A4 Date: 2023-08-30

KiCad E.D.A. kicad 6.0.2+dfsg-1

**Rev:**

Id: 5/8



Sheet: /stepper\_tmc2213/

File: stepper\_tmc2209.kicad\_sch

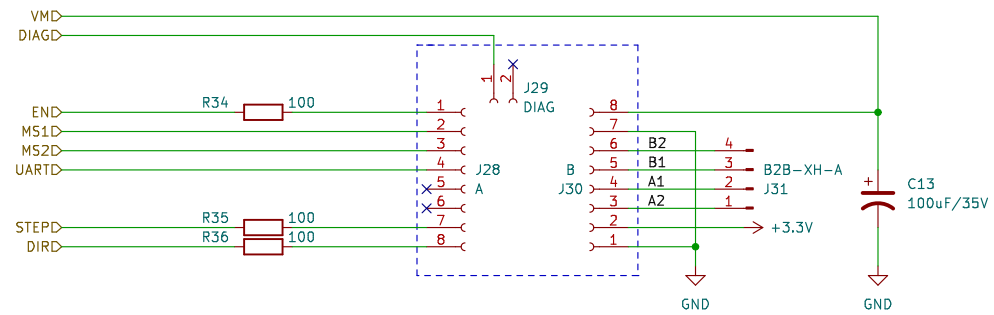
**Title: TMC2209 motor driver**

Size: A4 Date: 2023-08-30

KiCad E.D.A. kicad 6.0.2+dfsg-1

**Rev:**

Id: 8/8



Sheet: /stepper\_tmc2214/

File: stepper\_tmc2209.kicad\_sch

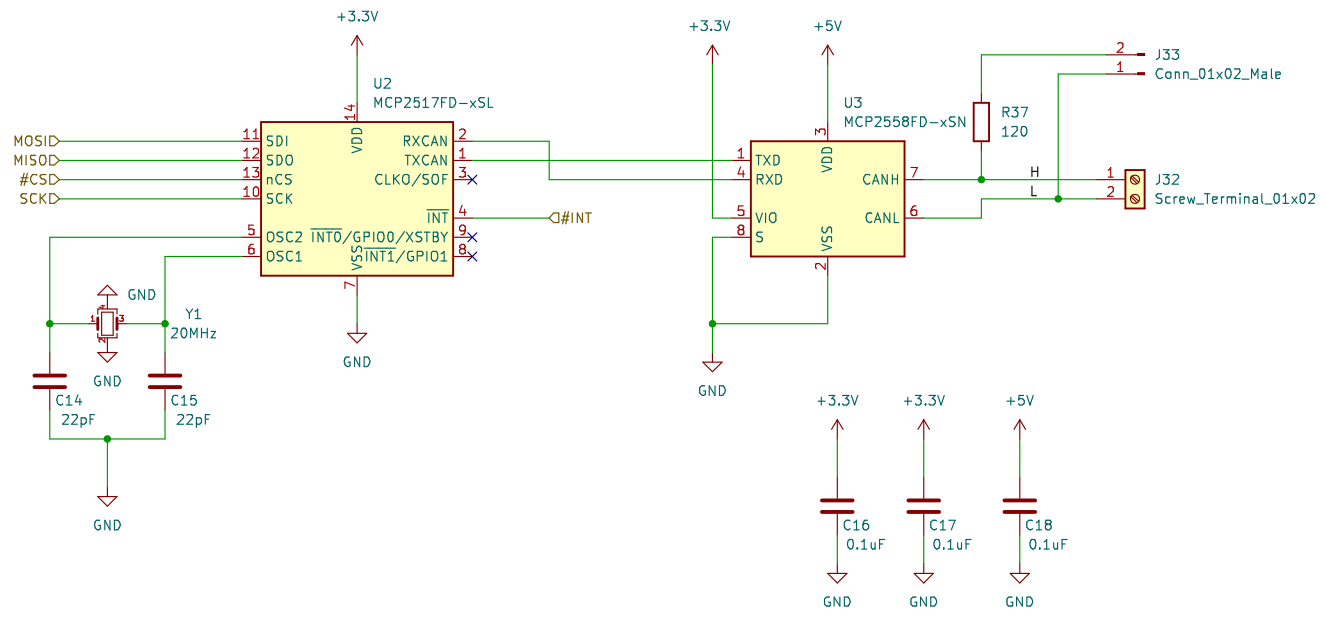
**Title: TMC2209 motor driver**

Size: A4 Date: 2023-08-30

KiCad E.D.A. kicad 6.0.2+dfsg-1

Rev:

Id: 9/8



Sheet: /CAN/	
File: mcp2517fd.kicad_sch	
<b>Title: MCP2517 CANFD</b>	
Size: A4	Date: 2023-08-30
KiCad E.D.A. kicad 6.0.2+dfsg-1	Rev: Id: 10/8